



# RONDO



## COMPACT SLIM COOLER

PERFORMANCE DATA						
Series	Fins Per Inch (Spacing - mm)	Capacity @ SC2 - kW	Capacity @ SC3 - kW	Air Flow - m <sup>3</sup> /hr	Air Throw - m <sup>1</sup>	Face Velocity - m/s
RONDO 140-C	6FPI (4.2mm)	0.95	0.70	792	/	2.4
RONDO 240-C		1.27	0.94	720	/	2.2
RONDO 340-C		1.49	1.10	792	/	1.9
RONDO 440-C		1.62	1.19	828	/	1.7
RONDO 400-C		2.00	1.47	1 188	/	2.5
RONDO 500-C		2.71	2.00	1 476	/	2.1
RONDO 700-C		3.19	2.35	1 656	/	1.8
RONDO 800-C		3.56	2.59	2 880	/	2.5
RONDO 900-C		4.69	3.46	2 700	/	2.3
RONDO 1100-C		5.41	3.99	2 952	/	2.1
RONDO 1300-C		6.20	4.57	2 736	/	1.9

TECHNICAL DATA								
Fans - Qty x Dia - mm	Fan Model - ebm-papst	Coil Internal Volume - lt	Coil Surface Area - m <sup>2</sup>	Liquid Connection - Inch <sup>2</sup>	Suction Connection - Inch <sup>3</sup>	Electric Defrost - kW	Unit Mass - kg	Drain Fitting - Inch
1x250	16W 250mm	0.6	1.9	3/8"	3/8"	N/A	4	1/2" BSPM
		0.8	2.8	3/8"	3/8"	N/A	5	
		1.0	3.5	1/2"	1/2"	N/A	5	
		1.2	4.2	1/2"	1/2"	N/A	6	
2x250		1.1	3.9	1/2"	1/2"	N/A	7	
		1.7	5.8	1/2"	1/2"	N/A	8	
		2.3	7.8	1/2"	5/8"	N/A	9	
		2x300	25W 300mm	1.9	6.4	1/2"	5/8"	
2.8	9.5			1/2"	5/8"	N/A	14	
3.5	11.9			1/2"	3/4"	N/A	15	
4.7	15.9			1/2"	3/4"	N/A	17	

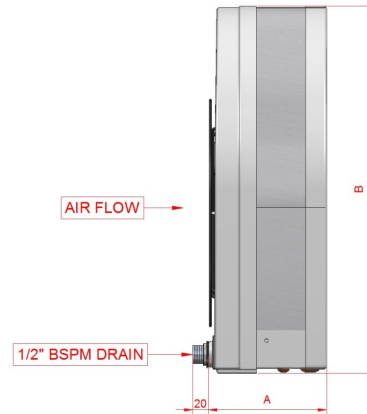
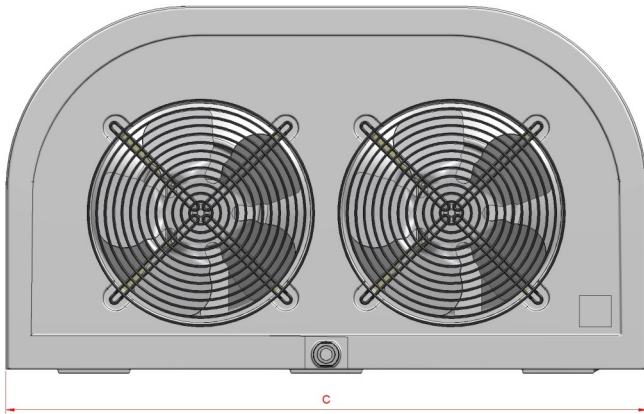
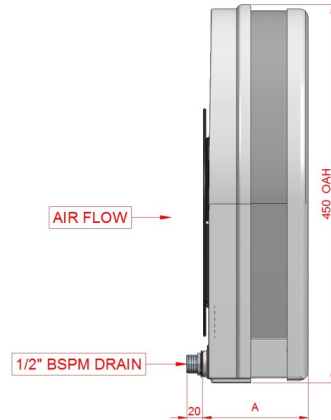
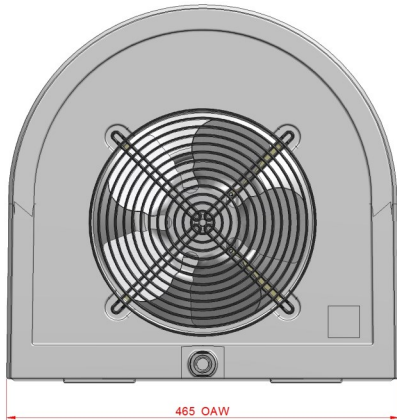
<sup>1</sup> Measured at 0.25 m/s

<sup>2</sup> Sized to suit nominal expansion valve outlet

<sup>3</sup> Calculated on 15 metre equivalent length (distance between the condensing unit and the unit cooler)



## DIMENSIONAL DRAWINGS



Dimensions	
Model	A
Rondo 140	120
Rondo 240	120
Rondo 340	145
Rondo 440	170

Dimensions			
Model	A	B	C
Rondo 400	137	430	760
Rondo 500	175	430	760
Rondo 700	230	430	760
Rondo 800	230	530	1060
Rondo 900	230	530	1060
Rondo 1100	265	530	1060
Rondo 1300	265	530	1060



## ELECTRICAL SPECIFICATIONS

Fan Technical & Wiring Data					
Standard (Shaded Pole)					
EBM 16W Shaded Pole Motor & 250Ø 28° Form 'V' Fan Blade					
Diameter mm	Voltage V	Frequency Hz	RPM	Power W	Amperage A
250	230	50	1300	60	0.42
Optional					
N/A					

L - BLUE  
 N - BROWN  
 E - GREEN/YELLOW  
 F1 - FAN MOTOR

Fan Technical & Wiring Data					
Standard (Shaded Pole)					
EBM 25W Shaded Pole Motor & 300Ø 28° Form 'V' Fan Blade					
Diameter mm	Voltage V	Frequency Hz	RPM	Power W	Amperage A
300	230	50	1300	90	0.52
Optional					
N/A					

L - BLUE  
 N - BROWN  
 E - GREEN/YELLOW  
 F1 - FAN MOTOR