

FREDDOX FAN MOTOR YFDX



The Freddox YFDX are single phase shaded pole motors widely used in many evaporators, condensing units and ventilation applications.

With a robust metal frame and multiple fixture points surrounding the body, these motors are an ideal solution for most of fan motor replacements.

Compatible with most of support systems for both suction or blowing airflow applications, the YFDX motors are also supplied with a 1m long cable to make them easy and fast to install.

The range covers most common sized shaded pole motors ranging between 5W – 34W, making the Freddox fan motors an ideal answer to almost every shaded pole breakdown.

Features

- Multi fixture points enabling grids, brackets or body mounting
- Robust and reliable with average service life of 20,000 hours
- Operational ambient temperatures -25/+50C
- Horizontal or vertical mounting possibility
- Suction or blowing airflow direction
- 1m cable length for an easier wiring
- Models up to 34W to cover most of the service cases
- IP42 Protection on all motors
- CE and UKCA approval

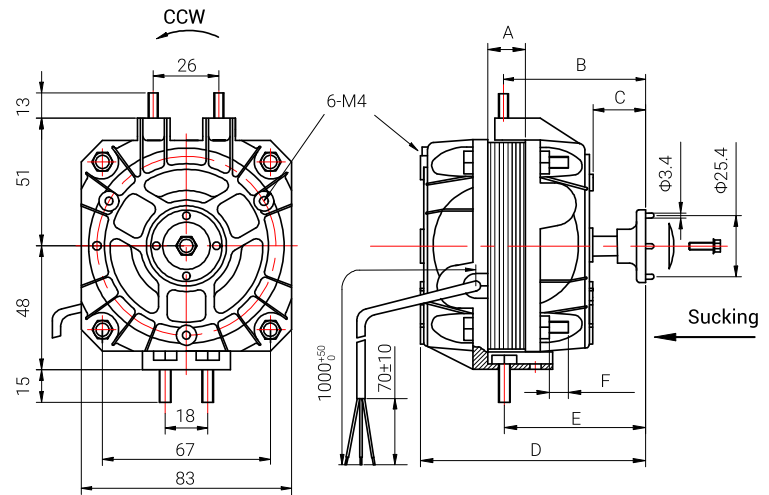
TECHNICAL DATA

Freddox Fan Motor

Model	BRIC	Input Power (watts)	Current (amps)	Speed (rpm)	Max Fan Blade/Pitch	Rotation Direction *	Weight Per Unit (kg)
YFDX05 (5W)	4401-YFDX05	29	0.20	1300	200mm/28°	Counter Clockwise	0.8
YFDX07 (7W)	4401-YFDX07	31	0.23	1300	200mm/34°	Counter Clockwise	1.1
YFDX10 (10W)	4401-YFDX10	36	0.25	1300	230mm/28°	Counter Clockwise	1.1
YFDX16 (16W)	4401-YFDX16	60	0.45	1300	254mm/28°	Counter Clockwise	1.4
YFDX18 (18W)	4401-YFDX18	70	0.50	1300	300mm/22°	Counter Clockwise	1.5
YFDX25 (25W)	4401-YFDX25	90	0.70	1300	300mm/25°	Counter Clockwise	1.8
YFDX34 (34W)	4401-YFDX34	110	0.85	1300	300mm/28°	Counter Clockwise	2.0

*When looking at shaft

Model	A (mm)	B ± 2 (mm)	C ± 2 (mm)	D ± 3 (mm)	E ± 2 (mm)	F ± 1 (mm)
YFDX05 (5W)	13	46.0	15	82	45	11
YFDX07 (7W)	19	46.0	15	87	51	10
YFDX10 (10W)	19	46.0	15	87	51	10
YFDX16 (16W)	25	45.0	14	92	56	9
YFDX18 (18W)	30	48	17	101.0	65	9
YFDX25 (25W)	40	49	18	112.0	75	9
YFDX34 (34W)	45	53	22	121	84	9



Manufacturer reserves the right to change any product specifications without notice.: BeijerRefAB_FanMotor_Freddox_24_EN