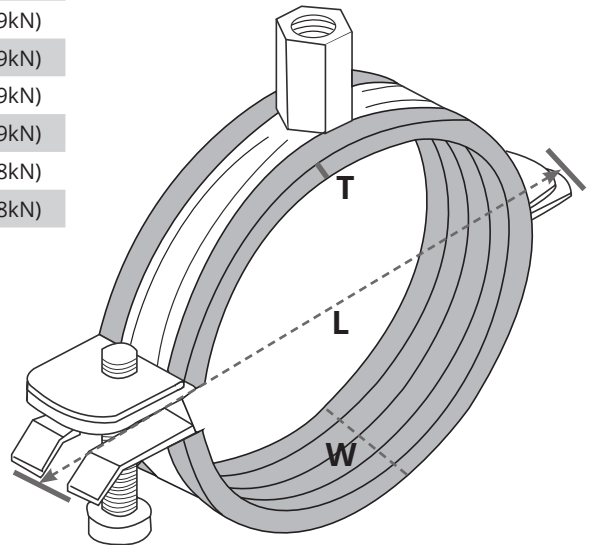


# PIPE CLAMPS



## Rubber Lined Zinc Plated M8/M10 Resistance Welded Hinged Holderbats

RSL CODE	SIZE	L	W x T	BOLT	REC LOAD
MRIN12-15H	15CU	48	20 x 1.25	M6 x 25	40kg (0.39kN)
MRIN15-19H	15CU, 3/8"	60	20 x 1.25	M6 x 25	40kg (0.39kN)
MRIN20-24H	15nb, 20CU	65	20 x 1.25	M6 x 25	40kg (0.39kN)
MRIN23-28H	20nb, 25CU	70	20 x 1.25	M6 x 30	40kg (0.39kN)
MRIN31-36H	25nb, 32CU & WST	77	20 x 1.25	M6 x 30	40kg (0.39kN)
MRIN38-44H	32nb, 40CU & WST	88	20 x 1.25	M6 x 30	40kg (0.39kN)
MRIN50-56H	50CU & WST	100	20 x 1.25	M6 x 35	40kg (0.39kN)
MRIN59-64H	50nb	110	20 x 1.25	M6 x 35	40kg (0.39kN)
MRIN70-75H	65WST	125	25 x 1.50	M6 x 35	60kg (0.59kN)
MRIN74-80H	65nb	127	25 x 1.50	M6 x 35	60kg (0.59kN)
MRIN77-83H	80CU & WST	132	25 x 1.50	M6 x 25	60kg (0.59kN)
MRIN85-90H	80nb	142	25 x 1.50	M6 x 35	60kg (0.59kN)
MRIN96-104H	100CU	165	25 x 2.00	M8 x 40	80kg (0.78kN)
MRIN108-118H	100WST	168	25 x 2.00	M8 x 40	80kg (0.78kN)



### CLAMP:

- Zinc plated steel clamp with resistance welded (closed) nut
- Three grades of metal thickness and two grades of width
- 12 microns (average) of zinc plating
- Zinc plating to DIN and EN Standards
- Safety factors considered in the max recommended loads
- All brackets and boxes have sizes labelled individually
- Use of grip range as well as specific sizing
- **SUITABLE INDOOR (DRY) CONDITIONS**

### RUBBER:

- High performance Dammprofile EPDM lining as per ISO 1629 standard
- Resistant against ageing, ozone, UV rays, salt water, diluted acids and bases
- Temperature range from -50°C to +110°C
- MANUFACTURER: WUS (Wilhelm Ungeheuer Söhne) Head office Germany
- German specifications with EU standards of quality control. Member of RAL [www.safe-connection.de](http://www.safe-connection.de)



[www.safe-connection.de](http://www.safe-connection.de)