

Unit Selection Guide

Item Stock Code	Description	Nominal Duty kW
C6726	MilkVat RMV450 (OPEN)-TEM	10.7

Technical Data

STOCK NO.	MODEL	COMPRESSOR					FAN MOTOR			REC VOL. (L)	PIPE CONNECTIONS		
		MODEL	PHASE	HP	DISP./ COMP (cm ³)	MRA	No. x SIZE	AIRFLOW m ³ /h	MRA/ MOTOR		SUCTION mm(inch)	LIQUID mm(inch)	WEIGHT (KG)
C6726	RMV450 (OPEN)-TEM	TAG4553Z	3	4.1/2	100.70	14.4	2 x 400	6000	0.82	6.0	22.2 (7/8)	12.7 (1/2)	118

OVERALL DIMENSIONS (mm)			SOUND POWER LEVEL dBA	WEATHER SHIELD	ACCESSORIES								
LENGTH	WIDTH	HEIGHT			OIL SEP	L/LINE DRIER	L/SIGHT GLASS	L/SOL. VALVE	SUCTION ACC.	PRESSURE R. VALVE	DP Switch	HP (Fan) Switch	CAREL FAN SPEED CTRL
1080	680	565	84	C1942	-	YES	YES	YES	YES	YES	YES	YES	-

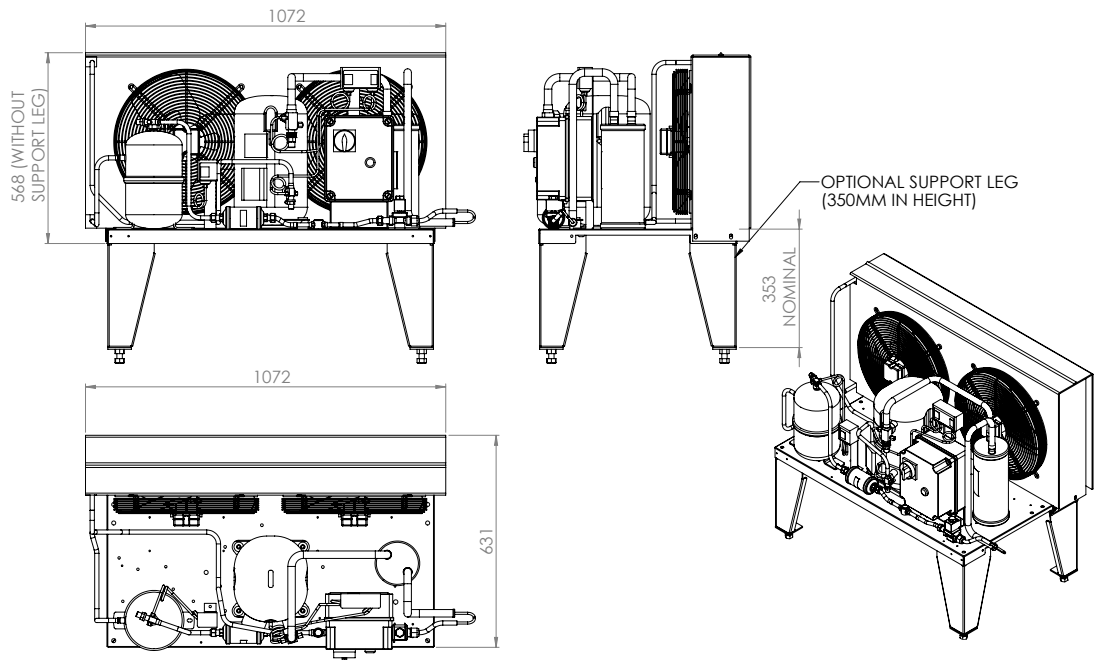
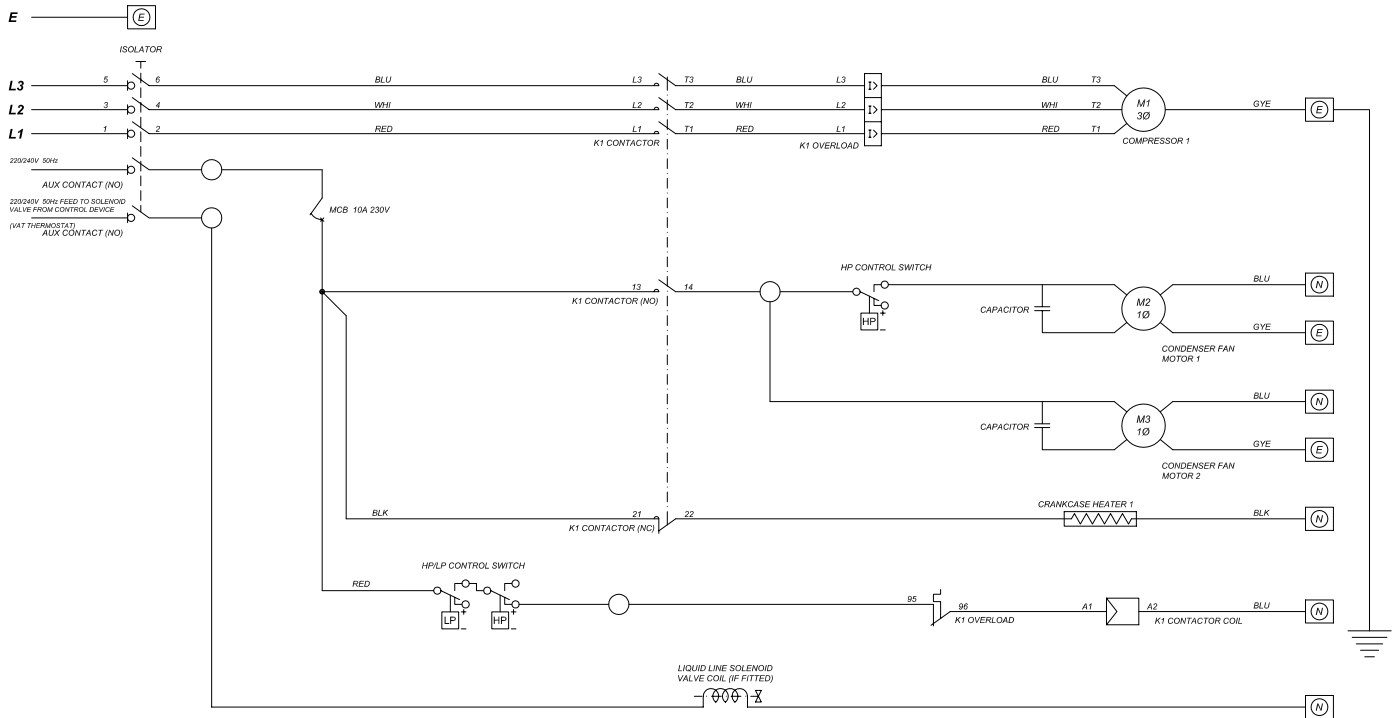
Nominal Capacity @ 0°C SST/ +32°C Ambient on R404a
All models are 380-415V 3PH 50Hz

Weather Shield & Support Leg Option

Item Stock Code	Description	Milk Vat Unit Model
C1942	Weather Shield	RMV450 (OPEN)
D0177	Support Leg (4 Required)	All Open Type RMV

Australia www.realcold.com.au
1800 REALCOLD sales@realcold.com.au
New Zealand www.realcold.co.nz
0800 11 66 90 parts@realcold.co.nz

RMV 450 - Open



Australia www.realcold.com.au
 1800 REALCOLD sales@realcold.com.au
New Zealand www.realcold.co.nz
 0800 11 66 90 parts@realcold.co.nz

realcold
 People
 Product
 Partnerships